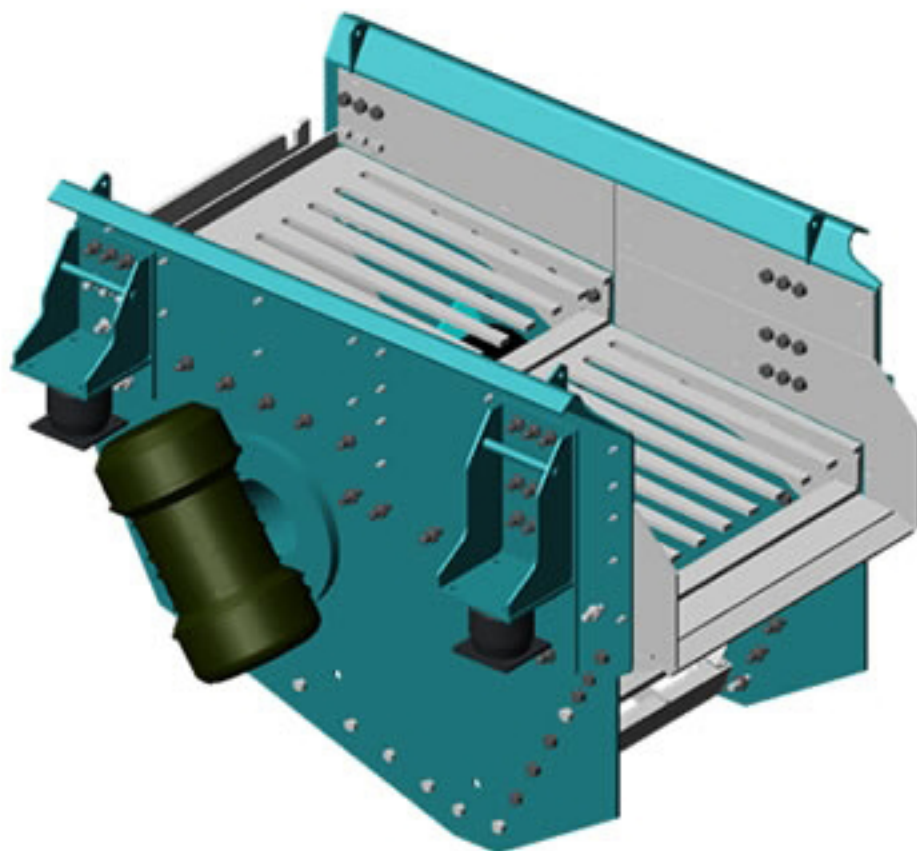


AGS-1020

Grizzly Screen

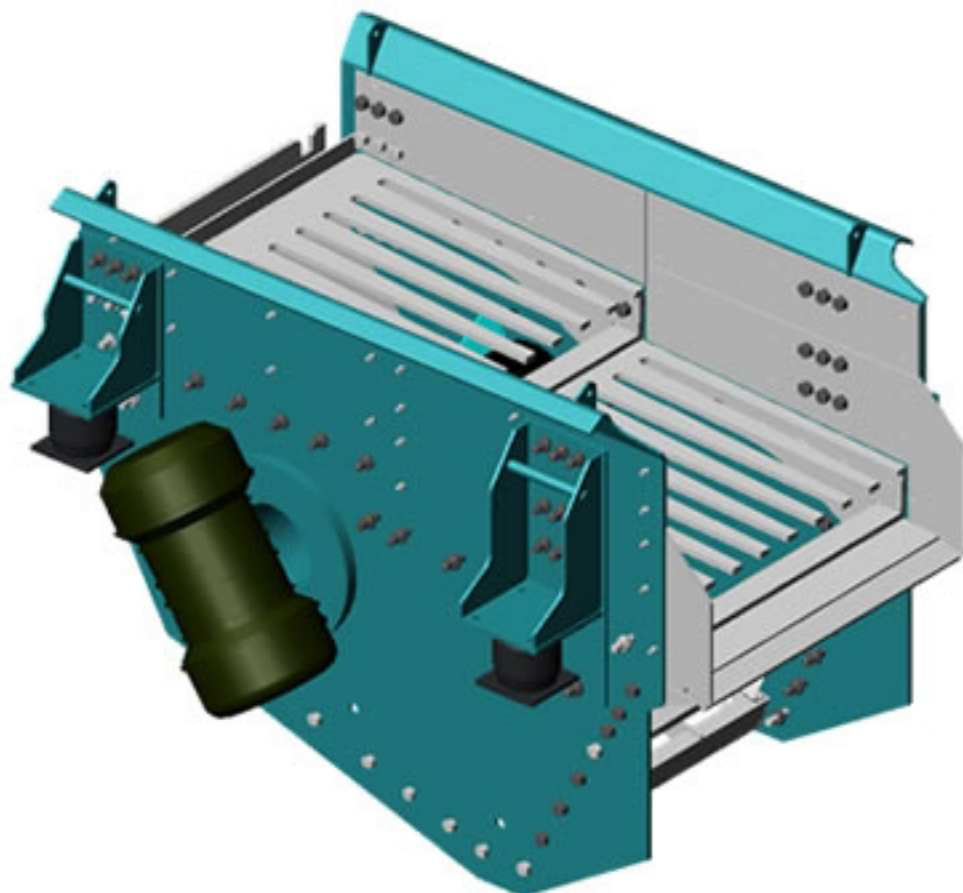
Model	: AGS 1020
Dimensions	: W: 1.000 x L: 2000 mm
Drive Unit	: 2 x 4 kW
Side Wall Thickness	: 10 mm. Erdemir A1 Quality
Side Liners	: 10 mm. Hardox
Body Type	: Seamless, Bolted
Stroke	: 4-6 mm
Feeding Speed	: 0.3-0.4 m/sec
Grizzly Type	: 20 mm, Double



AGS-1030

Grizzly Screen

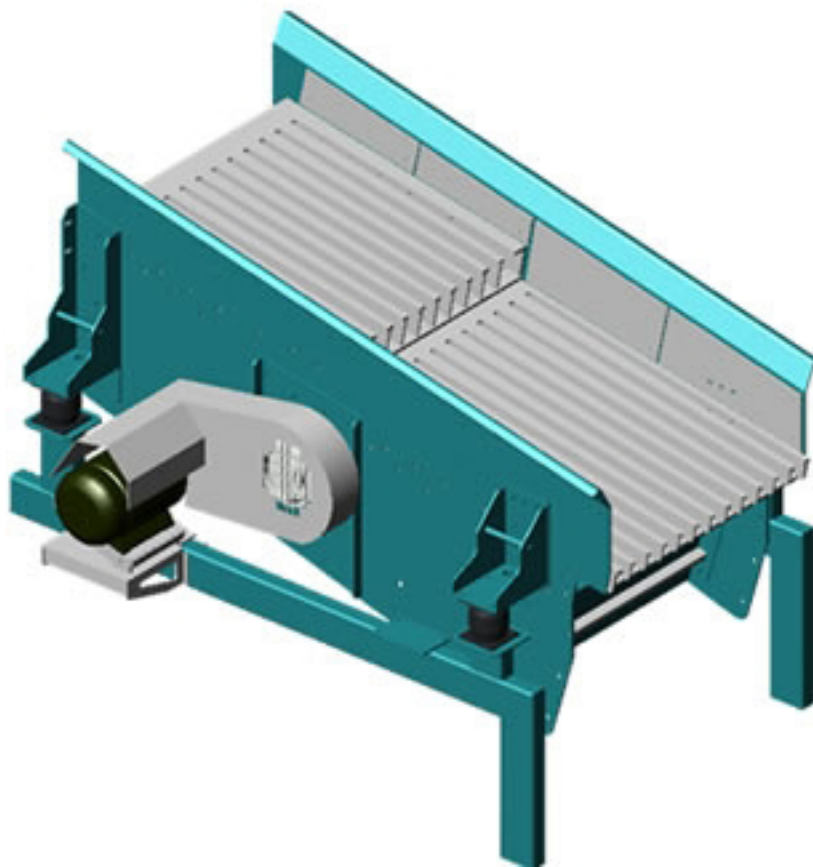
Model	: AGS 1030
Dimensions	: W: 1.000 x L: 3000 mm
Drive Unit	: 11 kW
Side Wall Thickness	: 12 mm. Erdemir A1 Quality
Side Liners	: 10 mm. Hardox
Body Type	: Seamless, Bolted
Stroke	: 4-6 mm
Feeding Speed	: 0.3-0.4 m/sec
Grizzly Type	: 20 mm, Double



AGS-1230

Grizzly Screen

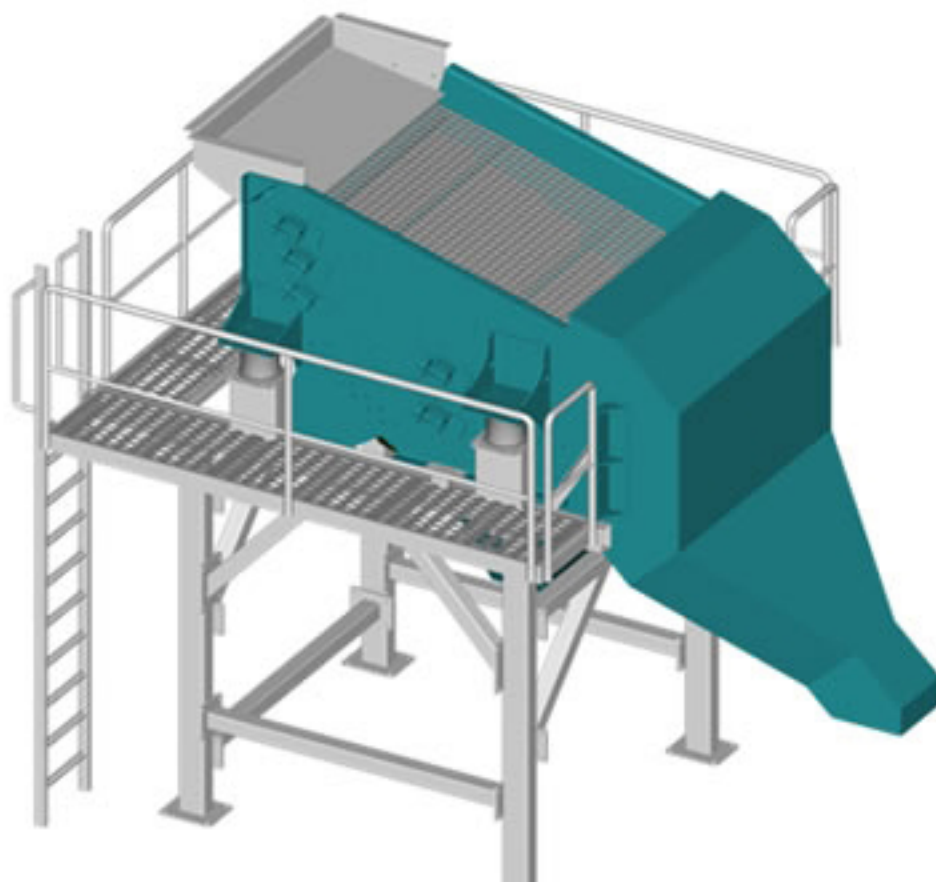
Model	: AGS 1230
Dimensions	: W: 1.200 x L: 3000 mm
Drive Unit	: 11 kW, Mechanical Drive
Side Wall Thickness	: 12 mm. Erdemir A1 Quality
Side Liners	: 10 mm. Hardox
Body Type	: Seamless, Bolted
Stroke	: 4-6 mm
Feeding Speed	: 0.3-0.4 m/sec
Grizzly Type	: 20 mm, Double



AGS-1420-DF

Grizzly Screen

Model	: AGS-1420-O-DF
Main Dimension	: L: 2.000 x W: 1.400 mm
Number of Decks	: 3
Screening Area	: 3 x 2.8 m ²
Drive Unit	: 2 x 4,5 kW, Vibro Motor
Frequency	: 1000
Angle of Screen	: 32°-25°-16°
Stroke	: 6-11 mm
Carrying Speed	: 0.70 m/sec



Poz No 2 : Izgara Ön Elek :

Model	: AGS 1430
Gövde Ölçüleri	: En : 1.400 x Boy : 3000 mm
Tahrik	: 15 kW
Gövde yan sacı	: 12 mm. Erdemir A1 kalite
Gövde yan astarları	: 10 mm. Hardox
Gövde yapısı	: Kaynaksız civatalı bağlantılı
Lastik takozlar	: Sacı vulkanizeli 240'lık lastik takozlar
Strok	: 4-6 mm
Besleme Hızı	: 0.3-0.4 m/sn
Izgara Yapısı	: Çift sıra 20 mm kalınlıkta ızgaralar

