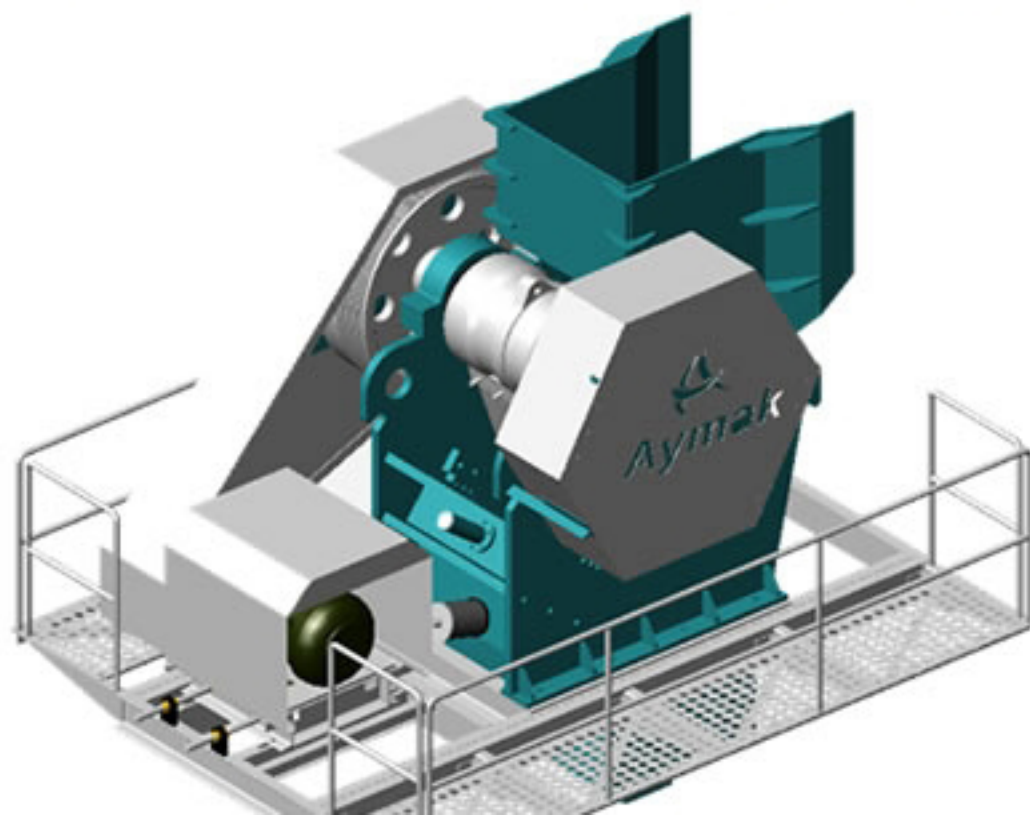


AJC-90

Jaw Crusher

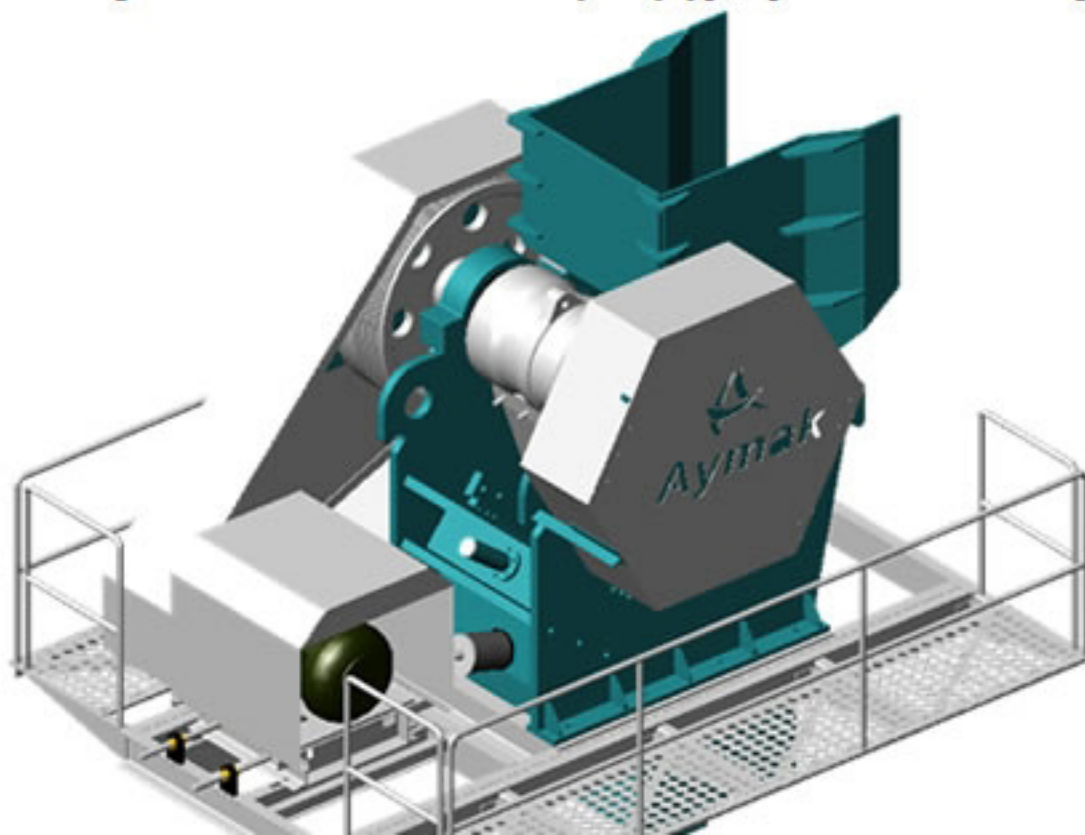
Model	: AJC-90
Main Dimensions	: 900 x 650 mm
Drive	: 75 kW. 1000 rpm
Max Feed Size	: 600 mm.
Range of CSS	: 75 - 130 mm.
Capacity	: 60 - 190 tons/hour
Flywheel Speed	: 293 rpm
Jaw Plates	: % 16-18 Mn Alloyed Cast Iron
Pitman	: Cast Iron
Body	: DIN17100 Material, Welded and bolted
Housing	: Heavy Duty type, Cast Iron
Bearings	: Heavy Duty type, Spherical Roller Bearing (SKF)



AJC-92

Jaw Crusher

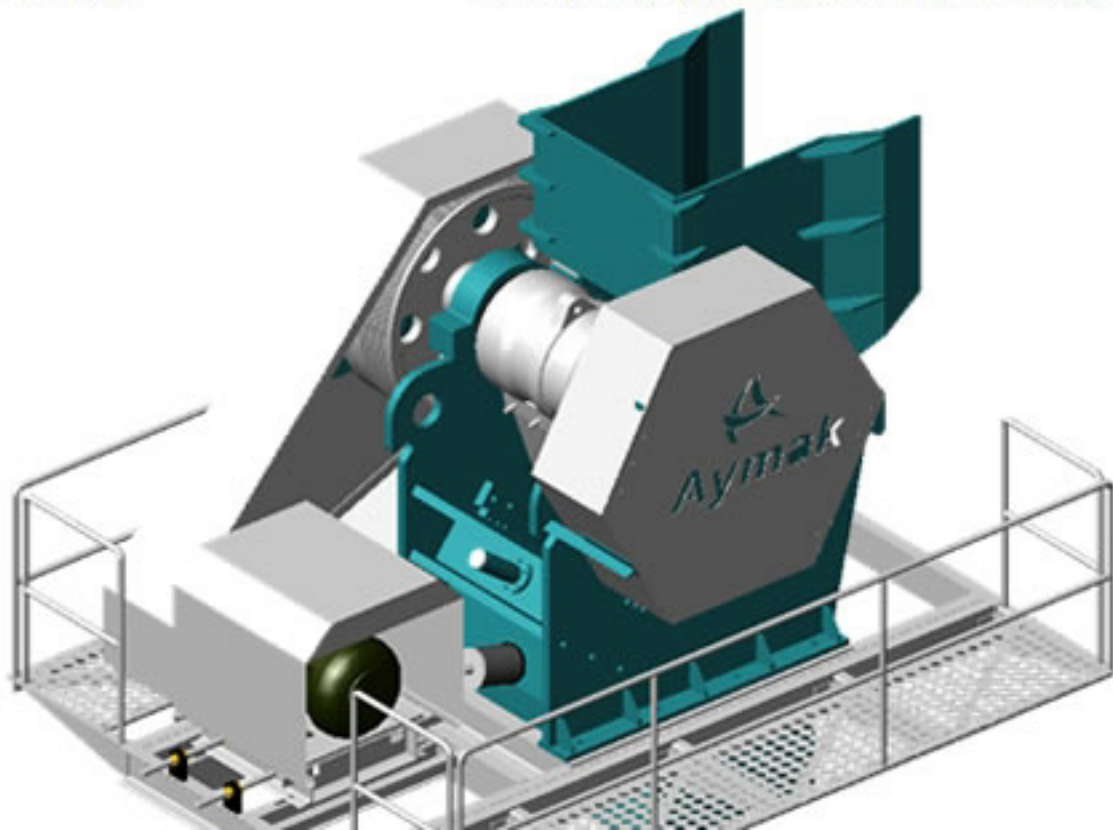
Model	: AJC-92
Main Dimensions	: 900 x 200 mm
Drive	: 30 kW, 1500 rpm
Max Feed Size	: 190 mm.
Range of CSS	: 25 - 70 mm.
Capacity	: 10 - 55 tons/hour
Flywheel Speed	: 330 rpm
Jaw Plates	: % 16-18 Mn Alloyed Cast Iron
Pitman	: Cast Iron
Body	: DIN17100 Material, Welded and bolted
Housing	: Heavy Duty type, Cast Iron
Bearings	: Heavy Duty type, Spherical Roller Bearing (SKF)



AJC-110

Jaw Crusher

Model	: AJC-110
Main Dimensions	: 1100 x 850 mm
Drive	: 132 kW, 1000 rpm
Max Feed Size	: 800 mm.
Range of CSS	: 80 - 150 mm.
Capacity	: 140 - 270 tons/hour
Flywheel Speed	: 230 rpm
Jaw Plates	: % 16-18 Mn Alloyed Cast Iron
Pitman	: Cast Iron
Body	: DIN17100 Material, Welded and bolted
Housing	: Heavy Duty type, Cast Iron
Bearings	: Heavy Duty type, Spherical Roller Bearing (SKF)



AJC-140

Jaw Crusher

Model	: AJC-140
Main Dimensions	: 1400 x 1000 mm
Drive	: 160 kW, 1000 rpm
Max Feed Size	: 1000 mm.
Range of CSS	: 100 - 175 mm.
Capacity	: 290 - 600 tons/hour
Flywheel Speed	: 270 rpm
Jaw Plates	: % 16-18 Mn Alloyed Cast Iron
Pitman	: Cast Iron
Body	: DIN17100 Material, Welded and bolted
Housing	: Heavy Duty type, Cast Iron
Bearings	: Heavy Duty type, Spherical Roller Bearing (SKF)

